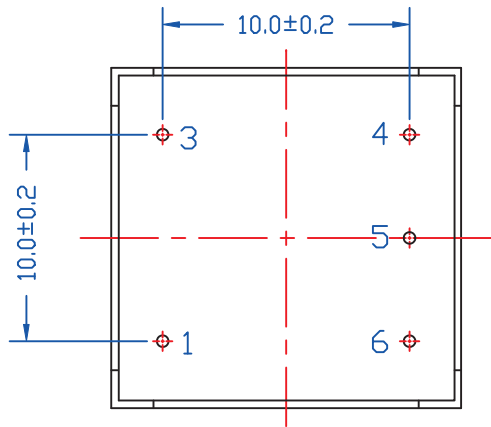


OPTIMUM CLASS (B) 600 OHM MATCH

0.5 SQ. PIN
OR Ø0.6 PIN



ELECTRICAL CHARACTERISTICS : (COMPATIBLE WITH P1165)

1. DCR : PIN 1-3 = 60 OHM ± 9%
PIN 6-4 = 60 OHM ± 9%
2. INDUCTANCE (@200HZ, 1Vrms, PARALLEL) : PIN 1-3 = 2.5H MIN.
3. RETURN LOSS (REF. 600 OHM) : @200HZ-4KHZ = 28dB MIN.
4. INSERTION LOSS : (@1KHZ, 0dBm) = 1.0 ± 0.2dB
5. FREQ. RESPONSE (REF. 1KHZ) : @200HZ = ± 0.2dB
@4KHZ = ± 0.5dB
6. LONGITUDINAL BALANCE : 200HZ-4KHZ = 80dB MIN.
7. TURN RATIO (4KHZ, 1Vrms) : PIN 1-3 : 6-4 = 1 ± 1%
8. DISTORTION (600HZ, -10dBm) : -75dB MAX.
9. HI-POT : (3750VAC, 1mA, 2SEC) PRI-SEC
10. RoHS COMPLIANCE.

				 Atech Technology Co., Ltd. TEL:(02)2794-6667 FAX:(02)2794-8004		TITLE 600 : 499 TRANSFORMER	
						DWG. NO. ATS-086R	
				UNITS:		SAFETY	
				DATE		SHEET 1 OF 1	
						DRAW	